

**PALFINGER**

**P 220 A**  
**PROFESSIONAL LINE**  
**CLEAR OUTREACH**  
**WITH THE UTMOST**  
**COMFORT AND**  
**SAFETY**

LIFETIME EXCELLENCE



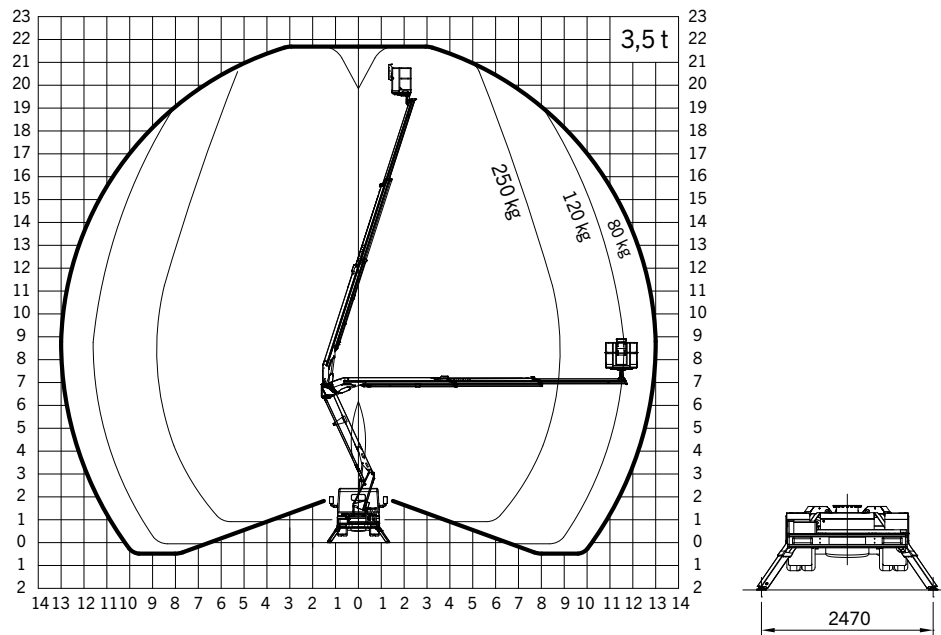
## TECHNICAL SPECIFICATIONS P 220 A

Max. working height	21.7 m
Max. basket bottom height	19.7 m
Max. outreach	13.0 m
Angle of main boom	-20° a + 70°
Turntable rotation	370°
Basket rotation	2 x 90°
Basket load	250 kg
Size of basket	1.4 x 0.85 x 1.1 m
Height in transport position	2.79 m
Width in transport position	2.09 m
Length in transport position	5.90 m
Can be driven with a class B license	

## OPTIONAL

Fiberglass basket
Working adjustable light 60 W on the basket
Towbar for trailer
Insulation 1000 V
12 V electric pump
Type-approved trailer
Aluminium side panels
Customised paintwork boom

## WORKING DIAGRAMS



## DIMENSIONS

